

ASSEMBLY NOTES:
USE PARKER O-LUBE ON ALL O-RINGS AND MATING SURFACES UNLESS OTHERWISE NOTED.

- 1 USE LOCTITE 222 OR PERMABOND LM113.
- 2 USE LOW-TEMP LUBRIPLATE.
- 3 DIMPLE AT ASSEMBLY.
- 4 DO NOT CUT TURBINE TEETH.
- 5 INDICATOR HOLES TO ALWAYS BE POSITIONED CLOSEST TO SHUTOFF BODY/BALL.
- 6 TORQUE TO 20 in-lbs.

PHONE: 800.228.1161 | www.akronbrass.com

WARRANTY AND DISCLAIMER*: We warrant Akron Brass products for a period of five (5) years* after purchase against defects in materials or workmanship. Akron Brass will repair or replace product which fails to satisfy this warranty. Repair or replacement shall be at the discretion of Akron Brass. Products must be promptly returned to Akron Brass for warranty service. We will not be responsible for: wear and tear; any improper installation, use, maintenance or storage; negligence of the owner or user; repair or modification after delivery; failure to follow our instructions or recommendations; or anything else beyond our control. **WE MAKE NO WARRANTIES, EXPRESS OR IMPLIED, OTHER THAN THOSE INCLUDED IN THIS WARRANTY STATEMENT, AND WE DISCLAIM ANY IMPLIED WARRANTY OF MERCHANTABILITY OR FITNESS FOR ANY PARTICULAR PURPOSE.** Further, we will not be responsible for any consequential, incidental or indirect damages (including, but not limited to, any loss of profits) from any cause whatsoever. No person has authority to change this warranty. *Unless otherwise provided herein. Akron Brass industrial electronic components & the Severe-Duty Monitor have a one (1) year warranty. Select Akron Brass handline nozzles and valves carry a ten (10) year warranty. Scene Star Lights carry a (6) year warranty. Weldon products have a two (2) year warranty from date of manufacture (excluding consumable components). Select Weldon LED products carry a five (5) year warranty. Honda products have the manufacturers' warranty and Akron Brass disclaims any warranty in respect of those products.

© 2016 Akron Brass Company. All rights reserved. No portion of this can be reproduced without the express written consent of the Akron Brass Company.

Parts List Sheet:

127590



TECHNICAL SERVICE PARTS

STYLE 1616, 4116

PRODUCT 1.5" PROVENGER NOZZLE

IF AN ITEM IS NOTED AS "NOT FIELD REPAIRABLE", OR YOU WISH TO RETURN AN ITEM TO AKRON BRASS FOR SERVICE PLEASE GO ONLINE TO, **ONLINEREPAIR.AKRONBRASS.COM**

Chg.	Date
05	03-20
06	05-21

FIND	DESCRIPTION	ITEM	QUANTITY	
			1616	4116
1	ALLEN SCREW 1/4-20 X 3/16	765008	1	1
4	A SEAT UHMW	769243	2	2
5	TRUNNION	127178	2	2
6	A O-RING 2-111	757269	2	2
7	A CELCON BALL	704029	1	1
8	A O-RING 2-140	757265	1	1
9	NOZZLE BODY	127585	1	1
10	A O-RING 2-132	757422	2	2
11	##, B SWIVEL 1.5" (NH)	-	1	1
13	A, B GASKET	717042	1	1
14	D FLAT WASHER 5/16	784093	2	2
15	D SCREW 5/16-18 X 2-3/4	765397	1	1
16	D WASHER LOCK 5/16	784090	1	1
17	D PISTOL GRIP	718330	1	1
18	E SHUT OFF HANDLE	721761	1	1
19	A,E ROLL PIN 1/8 X 1-1/4	744062	2	2
20	BALL ST STL 3/16	704018	1	1
20	BALL ST STL 3/16 (EN)	704018	2	2
21	DETENT SPRING	769111	1	1
22	DISCHARGE KEY	727034	1	1
23	CAM AXLE	702199	1	1
24	CAM ROLLER SHORT	758226	1	1
25	CAM ROLLER LONG	807009	1	1
26	CONTROL RING	756198	1	1
27	DISCHARGE TUBE 75 PSI	127586	1	1
27	DISCHARGE TUBE 100 PSI	127587	1	1
27	DISCHARGE TUBE 87 PSI	127588	1	1
28	SPIDER/STEM S/A	125085	1	1
29	SCREW CAM (EN)	765392	1	1
29	SCREW CAM	765391	1	1
30	SCREW SOC HD 4-40 X 3/8	760041	2	2

FIND		DESCRIPTION	ITEM	QUANTITY	
				1616	4116
31	A	TURBINE TEETH	772153	1	1
32		SCREW BUTTON HEAD 1/4-20 X 1	765182	1	1
33		RETAINING RING	758354	1	1
34		BUMPER	803417	1	1
35	C	BAFFLE HEAD	-	1	1
36		LABEL-OPEN/CLOSE	729724	1	1
37		O-RING 2-132	757268	1	1
38		SPIDER SPACER	768474	1	1
39		O-RING 2-032	757447	1	1
40		RETAINING RING	758344	1	1
41		O-RING 2-028	757341	1	1
42		BAND PATTERN INDICATOR 1616	803204	1	-
42		BAND PATTERN INDICATOR 4116	803034	-	1
43		BAND INDICATOR 4115,4116	803031	-	1
43		BAND GALLONAGE CONTROL (GPM)	803028	1	-
43		BAND GALLONAGE CONTROL (LPM)	803030	1	-
44		CAM INSERT	723064	1	-
44		CAM INSERT (EN)	723065	-	1
48	D	SPACER PISTOL GRIP	769933	1	1
49		SPACER CAM	768450	1	1
60		SPRING	768448	1	1
62		LABEL FM	729669	1	1
62		LABEL EN 4116	729892	-	1
62		LABEL EN 1616	729890	1	-
65		ID LABEL	803187	1	1
66		SLEEVE PATTERN	127589	1	1
67		O-RING 2-036	757309	1	1
68		O-RING 2-035	757280	1	1
69	**	SHIMS	-	-	-
70		O-RING 2-129	757308	1	1
71	D	SPACER PISTOL GRIP	770480	1	1
A		FIELD SERVICE KIT	91110001		
SWIVEL SUB ASSEMBLY					
B		1.5" NH	45154001		
B		1.5" BSP	45154003		
B		1.5" NPSH	45154002		
B		2" BSP (MALE)	45204001		
B		2.5" BIM	45004001		
B		1.5" BSP (EN VERSION)	45154015		
C		CONTACT AKRON BRASS CUSTOMER SERVICE FOR BAFFLE HEAD P/N'S AND SHUTOFF HANDLE LABELS.			
D		KIT SERVICE PISTOL GRIP W/COLOR CLIPS	90040001		
E		KIT SERVICE 2.5" BALE W/COLOR CLIPS	90050001		
F		KIT SERVICE BALE AND PISTOL GRIP COLOR CLIPS ONLY	90070001		
G		KIT OF 50 BALLS 5/32" DIAMETER	109042		

** INSTALLED AT FACTORY AS NEEDED FOR FINAL FLOW CALIBRATION.

FOR OTHER THREADS ORDER BY DESCRIPTION AND THREAD SIZE.

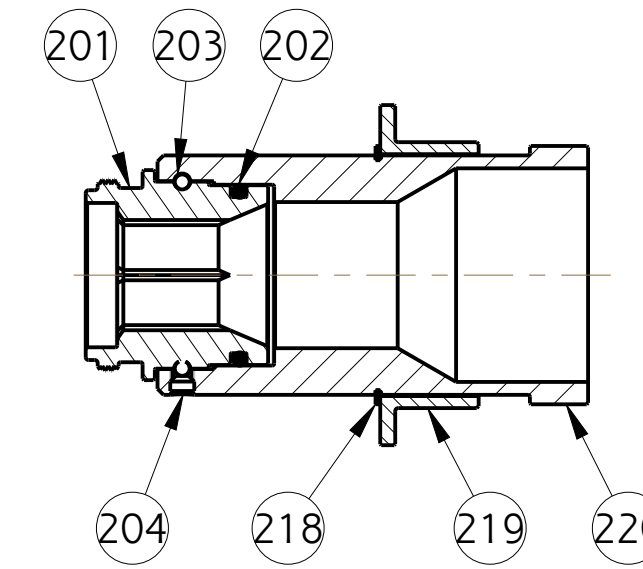
PHONE: 800.228.1161 | www.akronbrass.com

WARRANTY AND DISCLAIMER*: We warrant Akron Brass products for a period of five (5) years* after purchase against defects in materials or workmanship. Akron Brass will repair or replace product which fails to satisfy this warranty. Repair or replacement shall be at the discretion of Akron Brass. Products must be promptly returned to Akron Brass for warranty service. We will not be responsible for: wear and tear; any improper installation, use, maintenance or storage; negligence of the owner or user; repair or modification after delivery; failure to follow our instructions or recommendations; or anything else beyond our control. WE MAKE NO WARRANTIES, EXPRESS OR IMPLIED, OTHER THAN THOSE INCLUDED IN THIS WARRANTY STATEMENT, AND WE DISCLAIM ANY IMPLIED WARRANTY OF MERCHANTABILITY OR FITNESS FOR ANY PARTICULAR PURPOSE. Further, we will not be responsible for any consequential, incidental or indirect damages (including, but not limited to, any loss of profits) from any cause whatsoever. No person has authority to change this warranty. *Unless otherwise provided herein. Akron Brass industrial electronic components & the Severe-Duty Monitor have a one (1) year warranty. Select Akron Brass headline nozzles and valves carry a ten (10) year warranty. Scene Star Lights carry a (6) year warranty. Weldon products have a two (2) year warranty from date of manufacture (excluding consumable components). Select Weldon LED products carry a five (5) year warranty. Honda products have the manufacturers' warranty and Akron Brass disclaims any warranty in respect of those products.

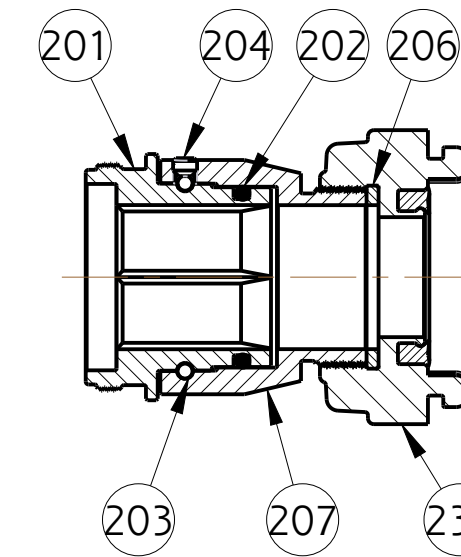
Parts List Sheet:

127590

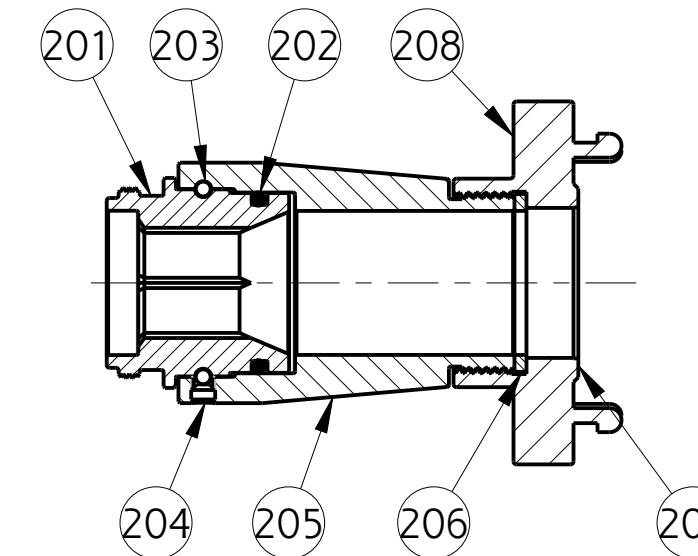
OPTIONAL ADAPTERS (not shown)				
65mm JIM ADAPTER				
FIND	DESCRIPTION	ITEM	QUANTITY	
201	ADAPTER	127206	1	
202	O-RING 2-223	757256	1	
203	G BALL BRASS 5/32" DIAMETER	-	38	
204	SCREW ALLEN HEAD CUP POINT SET 1/4-20 x 3/16"	765008	1	
218	RING RETAINER	756186	1	
219	RING PUSH 65MM	127417	1	
220	ADAPTER JIM 65MM	127416	1	
38mm STORZ				
201	ADAPTER	127206	1	
202	O-RING 2-223	757256	1	
203	G BALL BRASS 5/32" DIAMETER	-	38	
204	SCREW ALLEN HEAD CUP POINT SET 1/4-20 x 3/16"	765008	1	
206	GASKET	717042	1	
212	ADAPTER STORZ	127611	1	
232	STORZ FITTING 38mm	128279	1	
52mm STORZ				
201	ADAPTER	127206	1	
202	O-RING 2-223	757256	1	
203	G BALL BRASS 5/32" DIAMETER	-	38	
204	SCREW ALLEN HEAD CUP POINT SET 1/4-20 x 3/16"	765008	1	
205	ADAPTER STORZ EXTENSION	127223	1	
206	GASKET	714178	1	
207	SEAL	769329	1	
208	STORZ FITTING 52mm	127336	1	
65mm STORZ				
201	ADAPTER	127206	1	
202	O-RING 2-223	757256	1	
203	G BALL BRASS 5/32" DIAMETER	-	38	
204	SCREW ALLEN HEAD CUP POINT SET 1/4-20 x 3/16"	765008	1	
205	ADAPTER STORZ EXTENSION	127223	1	
	STORZ FITTING 65mm	45004002	1	



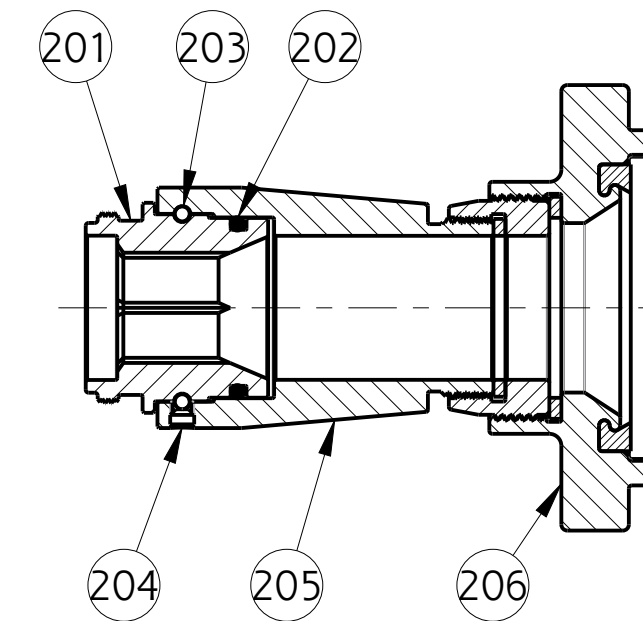
OPTIONAL
65MM JIM ADAPTER



OPTIONAL
38MM STORZ ADAPTER



OPTIONAL
52MM STORZ ADAPTER



OPTIONAL
65MM STORZ ADAPTER